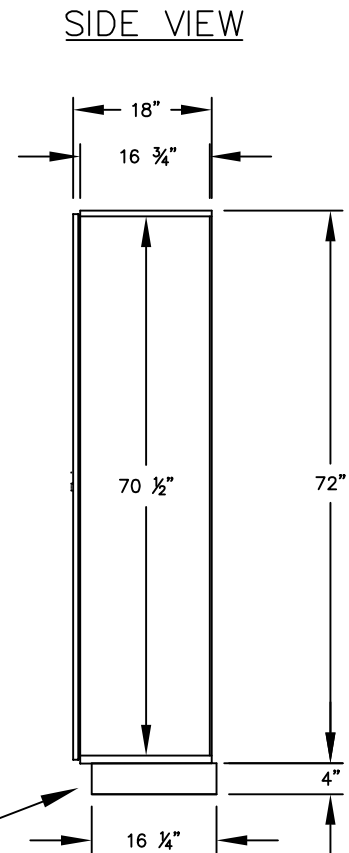


(NOTE: SOLID OAK EXECUTIVE LOCKER SHOWN WITHOUT SIDE PANEL OR CROWN MOLDING. PLEASE ORDER SEPARATELY.)

**MODEL #11168**  
**16" WIDE SINGLE TIER SOLID OAK**  
**EXECUTIVE WOOD LOCKER – 1 WIDE**

(1) LOCKER COMPARTMENT  
 EACH COMPARTMENT:  
 14-3/4" W x 70-1/2" H x 16-3/4" D



(BASES ARE MADE OF INDUSTRIAL GRADE PARTICLEBOARD AND ARE COVERED IN A DURABLE BLACK LAMINATE. PLEASE SET BASE TO ALLOW 5/8" BETWEEN THE BACK OF THE LOCKER AND THE WALL FOR AIR VENTILATION.)

**MODEL #11168**

16" WIDE SINGLE TIER  
 SOLID OAK EXECUTIVE WOOD LOCKER  
 SIX FEET HIGH (ADD 4" FOR BASE)

AVAILABLE FINISHES:  
 LIGHT OAK, MEDIUM OAK OR DARK OAK

DRAWN: 3/2020

***Established in 1936, Salsbury Industries is the industry leader in manufacturing and distributing quality lockers.***

18300 CENTRAL AVENUE  
 CARSON, CA 90746-4008  
 PHONE: (800) 562-5377  
 FAX: (800) 562-5399  
 email: [engineering@lockers.com](mailto:engineering@lockers.com)